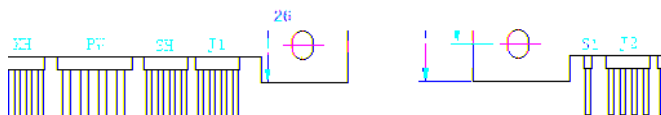
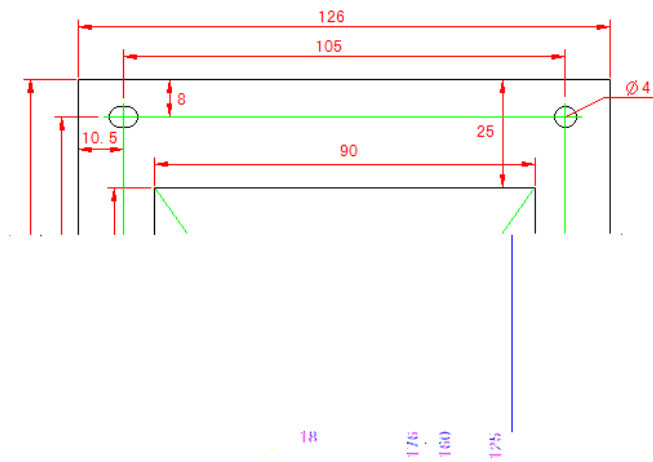


	BL2000-HEH-P1			
PCB	176mm*126mm			
				PCB
BL2000-HEH-P1 A/B/C	A	/B	/C	

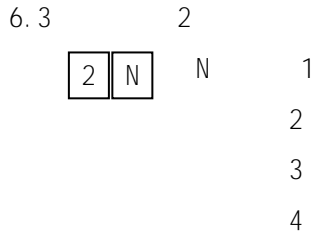
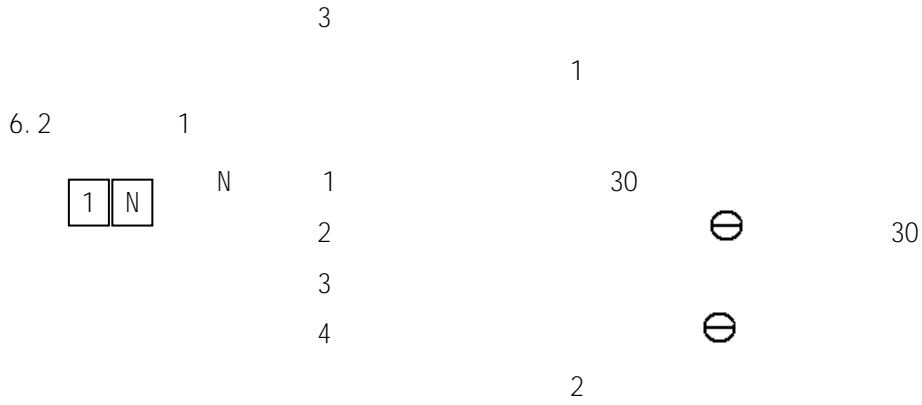



PW-1

24V

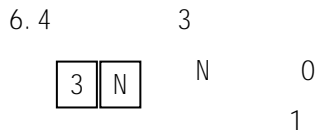
PW

$$\begin{array}{ccccccc} 1 & 10 & & 5 & & & 5 \\ 2 & & & & & & \\ & = & & & + & 1 & \\ 3 & 10 & & 3 & & & 5 \end{array}$$

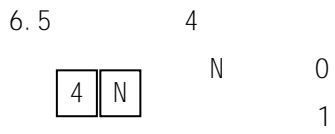


3

F n u o



0



0

